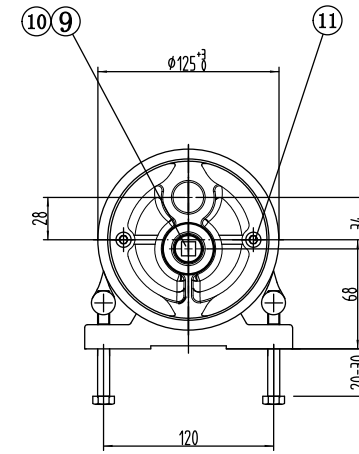
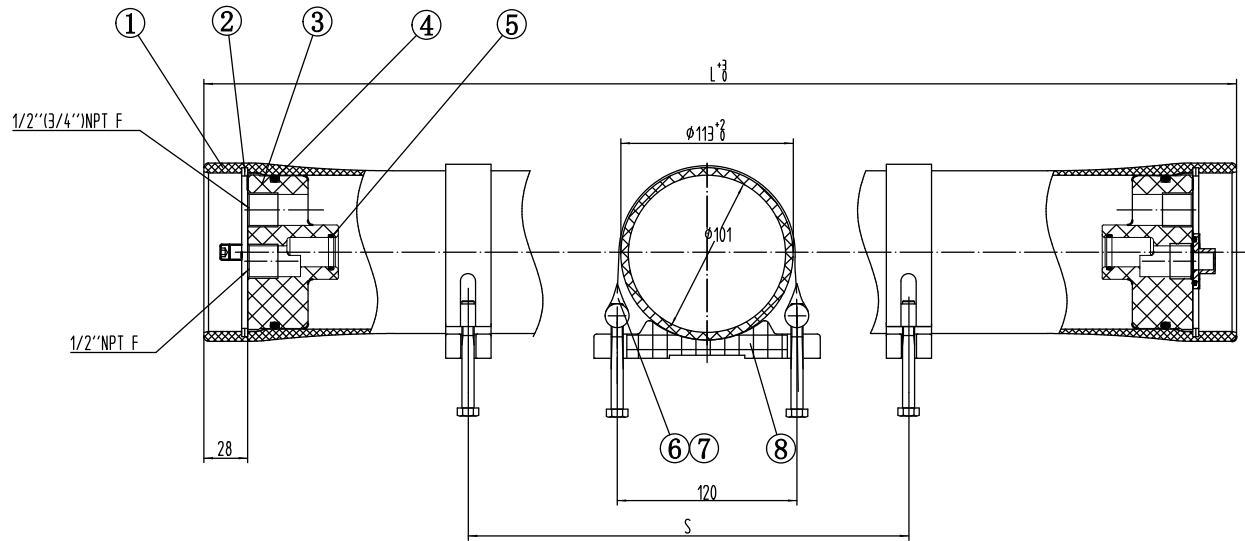


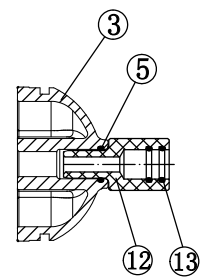
450PSI



Note:

1. Design pressure: 450PSI(31Bar)
2. Design temperature: 150°F(66°C)
3. Minimum temperature: 14°F(-10°C)
4. Working medium: Water,PH 3-11
5. Please operate in accordance with User Guide
6. Flexible piping should be used on permeate connection to mainfold
7. Subject to change without prior notice

Ref.	Description	Part Number	Qty.	Material	Remark
13	O-Ring	F40L-59-01	4	EPDM	19*2.65 Used for 4 to 6 elements vessel only
12	Adapler	F40L-101-01	2	ABS	Used for 4 to 6 elements vessel only
11	Locking Crescent Screw	F40L-88-01	4	304SST	M6*10
10	O-Ring	F40L-53-01	4	EPDM	23.6*3.55
9	Plug	F40L-04-01	1	ABS	
8	Saddle	F40L-03-01	2~3	Rubber	
7	Strap Screw	F40L-83-01	4~6	304SST	M8*70
6	Strap	F40L-02-01	2~3	304SST-Rubber	
5	O-Ring	F40L-59-01	2	EPDM	19*2.65
4	O-Ring	F40L-58-01	2	EPDM	90*5.3
3	End Plate	F40L-01-02	2	ABS	Optional: 1/2"*3/4"
		F40L-01-01			Standard: 1/2"*1/2"
2	Locking Crescent	F40L-96-01	4	304SST	
1	Pressure Shell	See Selection Table	1	Epoxy FRP	White
Ref.	Description	Part Number	Qty.	Material	Remark



Ref.	Part Number	L (MM)	S (MM)	Approx assembly weight (KG)
1	F4045E-1	1152	600	5.55
2	F4045E-2	2168	1200	7.95
3	F4045E-3	3184	2200	10.35
4	F4045E-4	4280	1600x2	12.75
5	F4045E-5	5296	2300x2	15.15
6	F4045E-6	6312	2700x2	17.55

Harbin FirstLine Environment Technology Co.,Ltd.

First Line

Design Date	Model	F40-450E Pressure Vessel	
Review Date	DRG	F40-45-E-00-01	
Approval Date	Unit	mm	REV. 2021